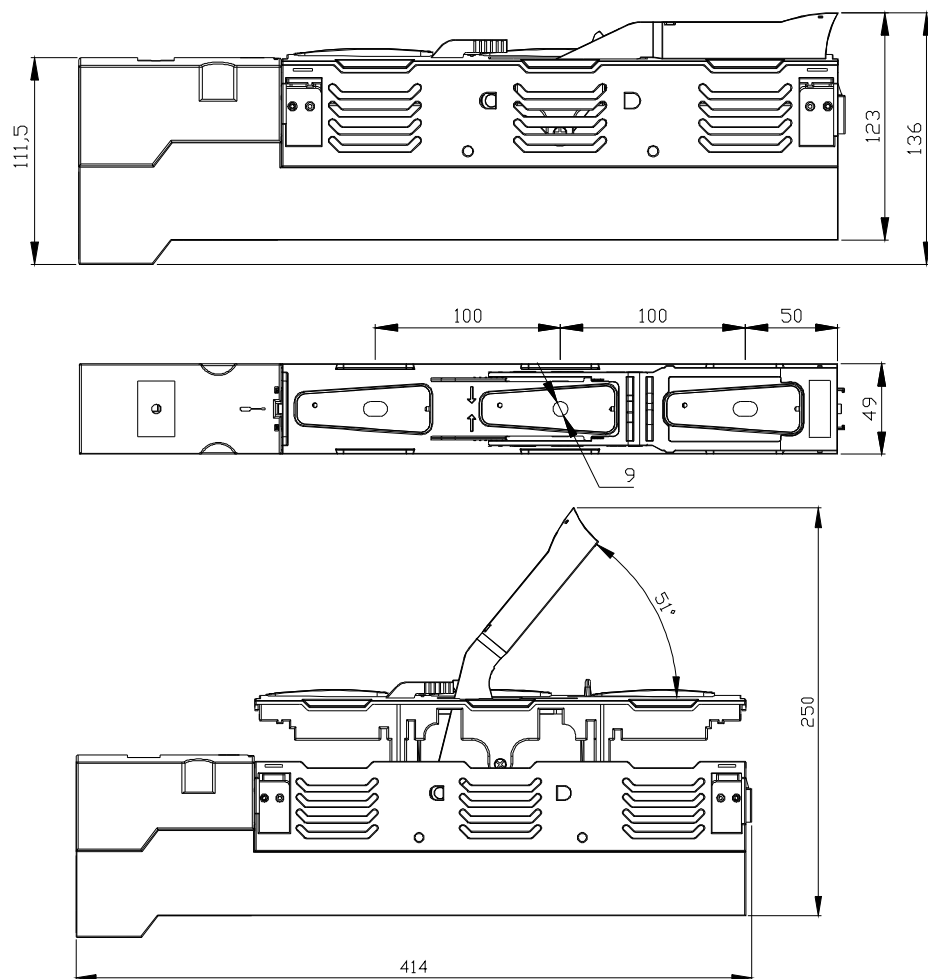


C) Mjerne skice Dimension drawings

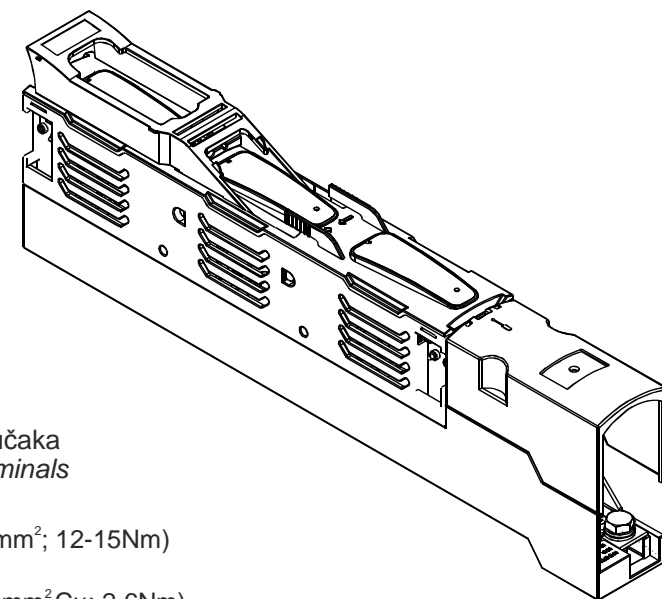


Dimenzije u mm
Dimensions in mm

Upute za montažu Installation instruction

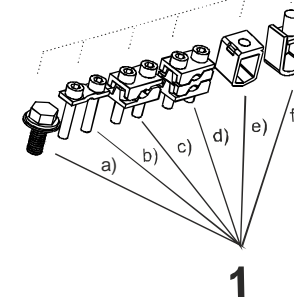


A) Osigurač-rastavna pruga tip SL00/100 EK Fuse-switch disconnecter type SL00/100 EK Strip type



1. Vrste priključaka Type of terminals

- a) **M8x16** (70mm²; 12-15Nm)
- b) **OS00** (6-50mm² Cu; 2,6Nm)
- c) **P00** (10-70mm² Al/Cu; 4,5Nm)
- d) **P002** (2x10-50mm² Al/Cu; 4,5Nm)
- e) **BOX** (10-70mm² Cu; 4,5Nm)
- f) **KU00** (10-95mm² Al/Cu; 10 Nm)



Napomena / Note:

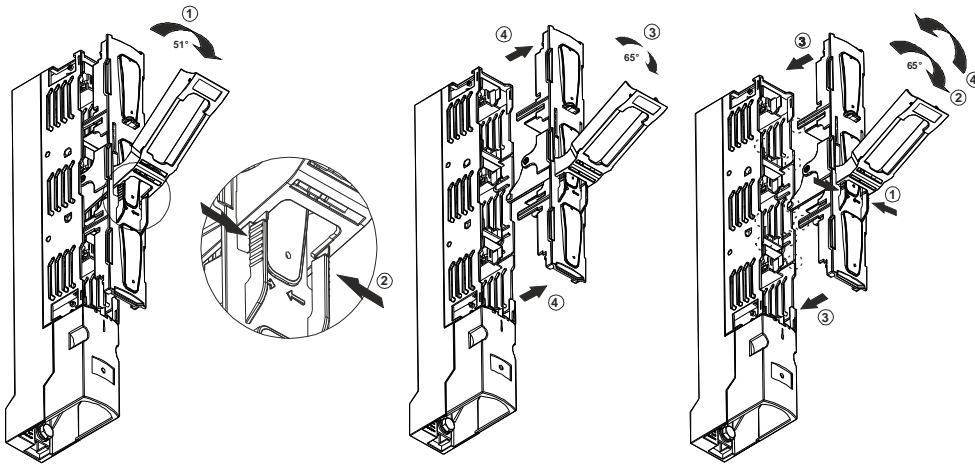
Nepridržavanje pritezanja vijaka propisanim momentima (ovisno o tipu priključka) može dovesti do prekomjernih zagrijavanja priključaka, te izazvati neželjene posljedice tipa zapaljenja izolacije kabela, osigurač-rastavnih pruga te ostale ugrađene opreme!

Failure to comply with tightening the screws with the specified torque (depending on the type of connection) can lead to excessive heat terminals, unwanted consequences and cause ignition cable insulation, fuse-switch disconnecter and other installed equipment!

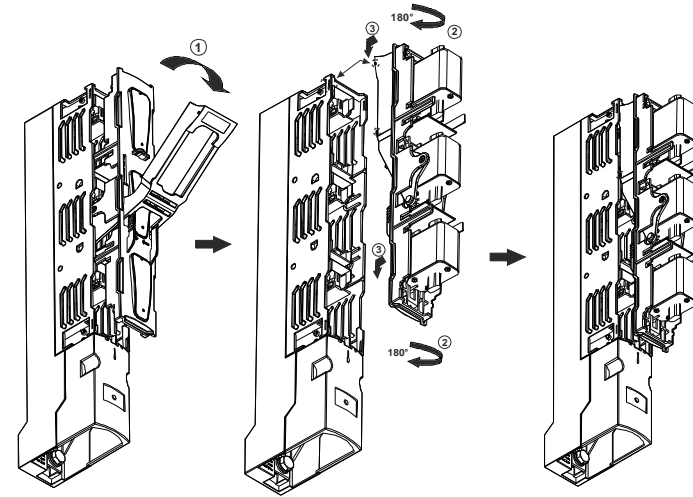


B) Korištenje / Manipulation

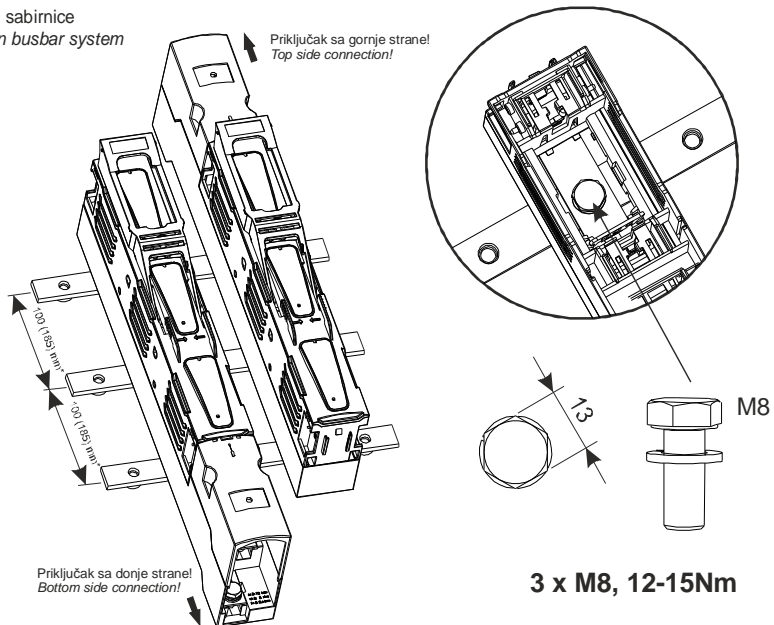
Otvaranje / Zatvaranje
Open / Close



Park položaj
Park position



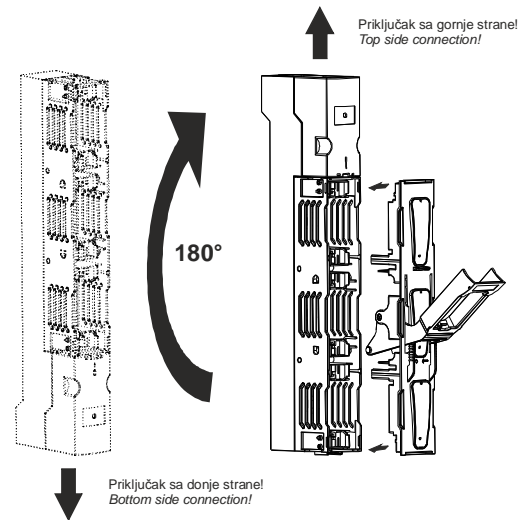
Montaža na sabirnice
Mounting on busbar system



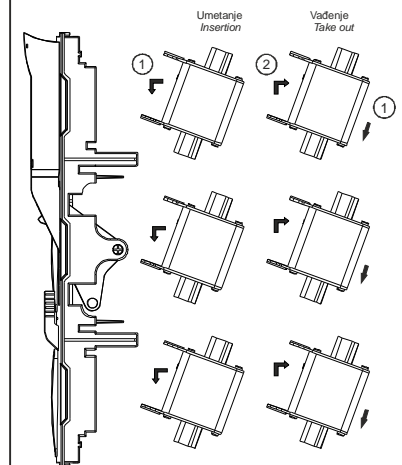
Uz korištenje adaptera mogućnost ugradnje na sabirnički sistem 185mm!
The possibility of installation on busbar system 185mm by using adapter!

Str. / Page: 2

Položaj priključka
Connection position



Rukovanje sa ulošcima osigurača
Manipulation with fuse-links



Str. / Page: 3