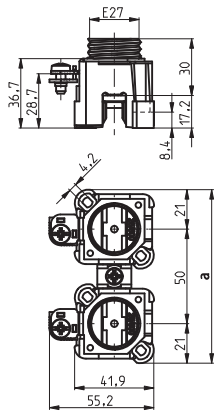


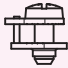
D fuse base - new generation

SET EZR 25 2p - 10p

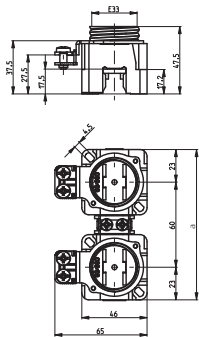


SET EZR 25 2p

Fuse base EZR 25

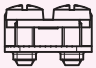
type	connection Supply & Outlet	Cross-section of connecting lead		Dimension a
		Outlet [mm <sup>2</sup> ]	Supply [mm <sup>2</sup> ]	
SET EZR 25 2p-GEG 25.2	 M5	35	1 - 10	92
SET EZR 25 3p-GEG 25.3		35	1 - 10	142
SET EZR 25 4p-GEG 25.4		35	1 - 10	192
SET EZR 25 5p-GEG 25.5		35	1 - 10	242
SET EZR 25 6p-GEG 25.6		35	1 - 10	292
SET EZR 25 7p-GEG 25.7		35	1 - 10	342
SET EZR 25 8p-GEG 25.8		35	1 - 10	392
SET EZR 25 9p-GEG 25.9		35	1 - 10	442
SET EZR 25 10p-GEG 25.10		35	1 - 10	491

SET EZR 63 2p - 6p



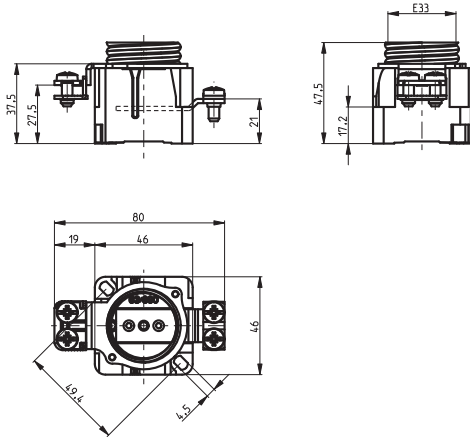
SET EZR 63 2p

Fuse base EZR 63

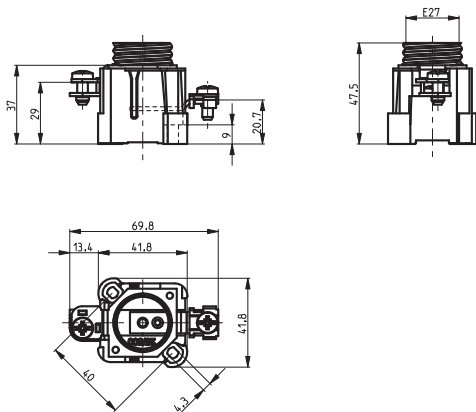
type	Connection Supply & Outlet	Cross-section of connecting lead		Dimension a
		Outlet [mm <sup>2</sup> ]	Supply [mm <sup>2</sup> ]	
SET EZR 63 2p-GEG 63.2	 2x M5	35	2.5 - 25	106
SET EZR 63 3p-GEG 63.3		35	2.5 - 25	166
SET EZR 63 4p-GEG 63.4		35	2.5 - 25	226
SET EZR 63 5p-GEG 63.5		35	2.5 - 25	286
SET EZR 63 6p-GEG 63.6		35	2.5 - 25	346

Technical data

Fuse base EZV 63 GS



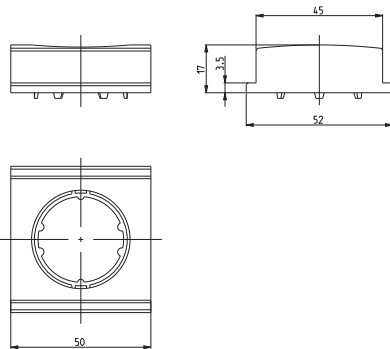
Fuse base EZV 25 GS



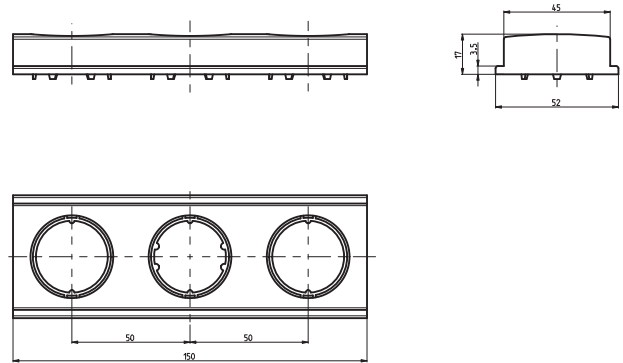
Fuse base EZV

type	Connection		Cross-section of connecting lead	
	Supply	Outlet	Outlet [mm <sup>2</sup> ]	Supply [mm <sup>2</sup> ]
EZV 25 GS	M5	M5	1 - 10	1 - 10
EZV 63 GS	2x M5	2x M5	2.5 - 25	2.5 - 25

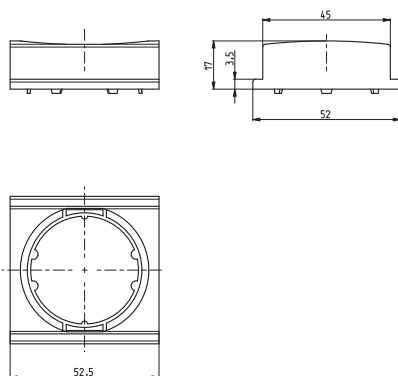
Protective cover GB 25.1



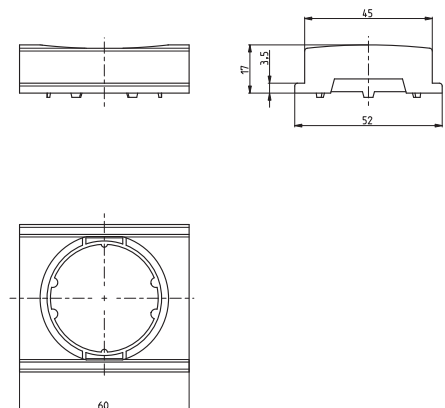
Protective cover GB 25.3



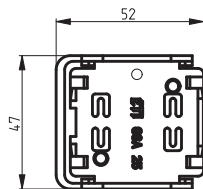
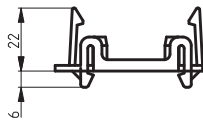
Protective cover GB 63-52



Protective cover GB 63-60



## Plastic mounting plate GSA 25



## Plastic mounting plate GSA 63

